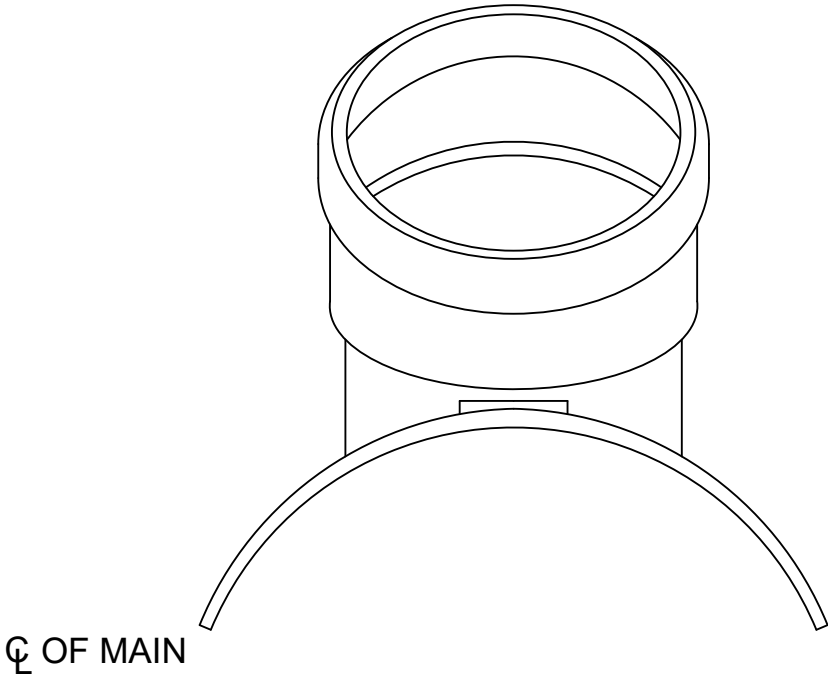
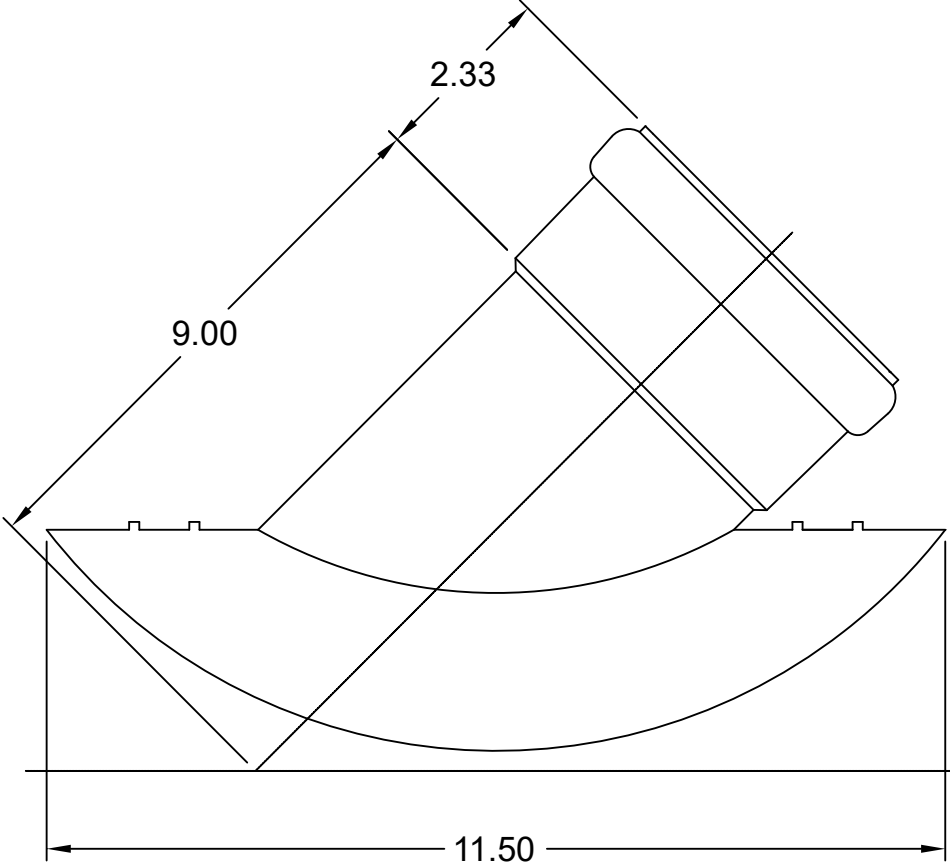


Not recommended when air test is needed



FOR REFERENCE ONLY DIMENSIONS IN INCHES DIMENSIONS SUBJECT TO CHANGE

TITLE
8" x 4" SADDLE WYE HxG WITH STRAPS
ULTRA-RIB
D3034/F1336 SDR 35 PSM PVC

1-800-437-4670 FARGO, ND

DATE 5-12-16

SCALE NONE

PART NO. 601-0084