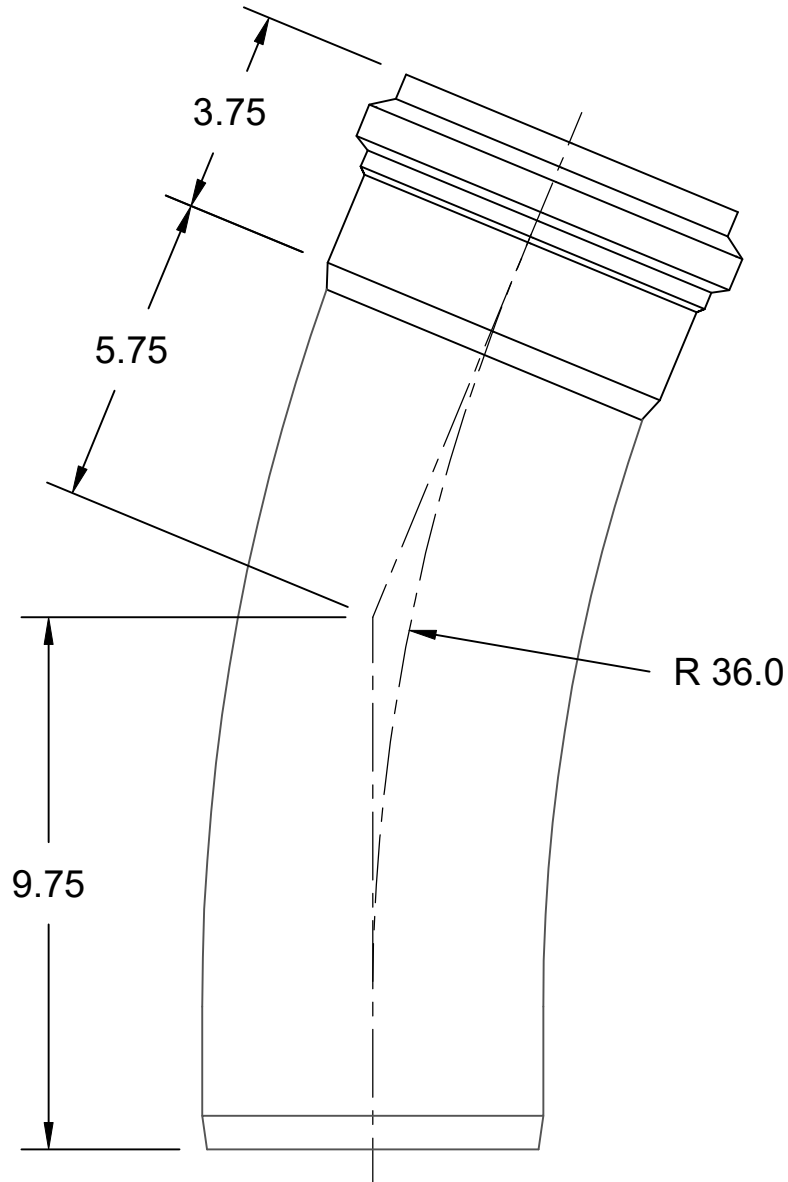


Please sign this form to approve the drawing below. Once the drawing has been approved production will begin on the part. Cancellation will not be permitted and Non-Standard/Specialty Fittings are Non-Returnable.

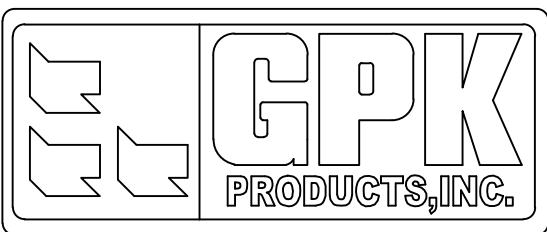
Signature _____ Date _____

Printed Name _____

Company Name & Location _____



****Non-Standard / Specialty Fittings are Non-Returnable****



FOR REFERENCE ONLY DIMENSIONS IN INCHES DIMENSIONS SUBJECT TO CHANGE

TITLE

6" x 22.5 DEGREE SWEEP BEND SxG
D3034/F1336 SDR 26 PSM PVC

1-800-437-4670 FARGO, ND

DATE 7-18-23

SCALE NONE

PART NO. NON-STOCK