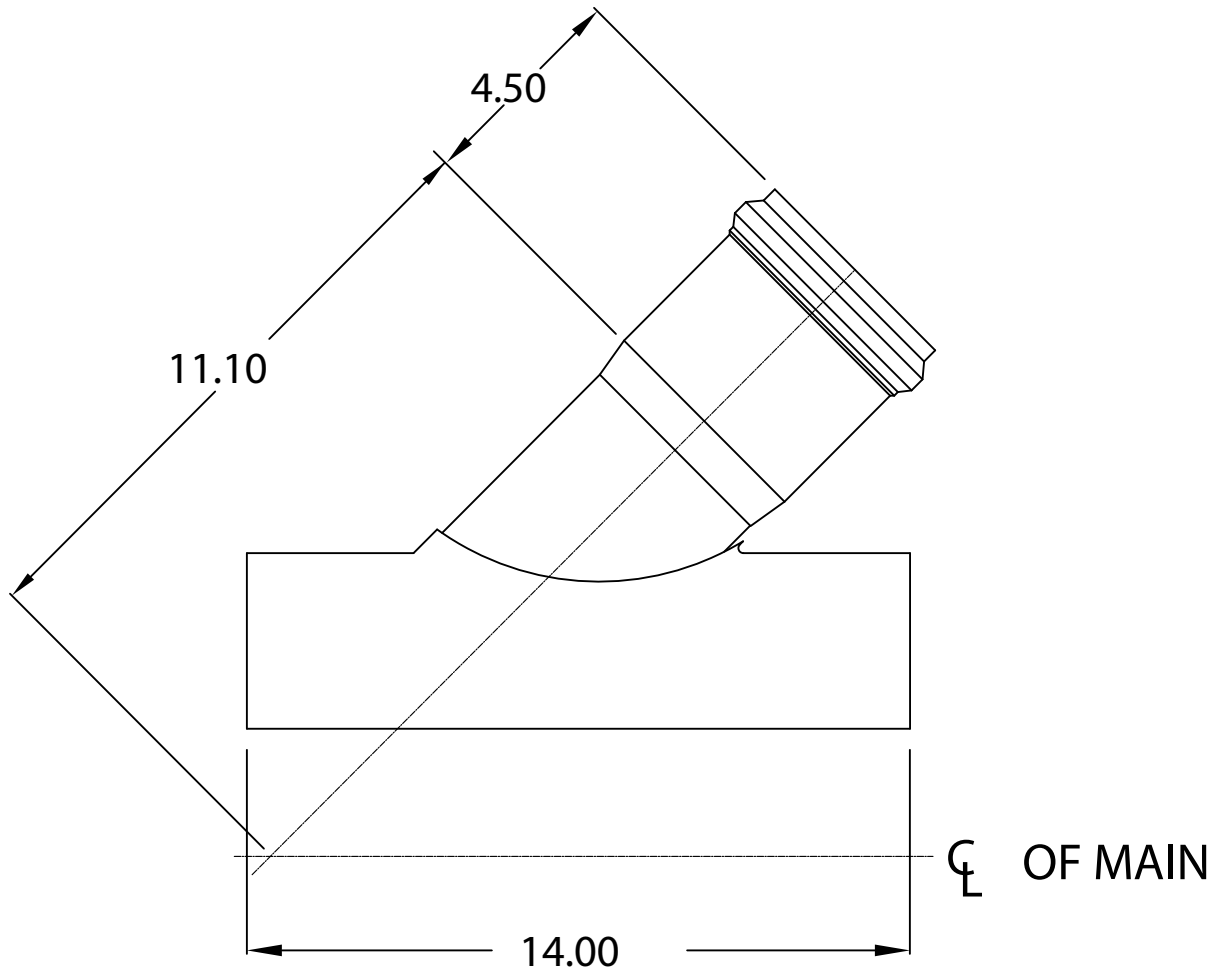


Please sign this form to approve the drawing below. Once the drawing has been approved production will begin on the part. Cancellation will not be permitted and Non-Standard/Specialty Fittings are Non-Returnable.

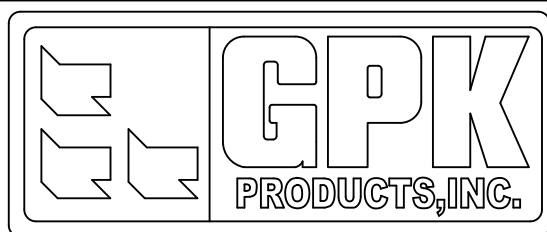
Signature _____ Date _____

Printed Name _____

Company Name & Location _____



****Non-Standard / Specialty Fittings are Non-Returnable****



FOR REFERENCE ONLY DIMENSIONS SUBJECT TO CHANGE

TITLE

8" x 4" SADDLE WYE SCH.40
SOLVENT SKIRT / GASKET BRANCH

1-800-437-4670 FARGO, ND

DATE 3-28-11

SCALE NONE

PART NO. G301-0084