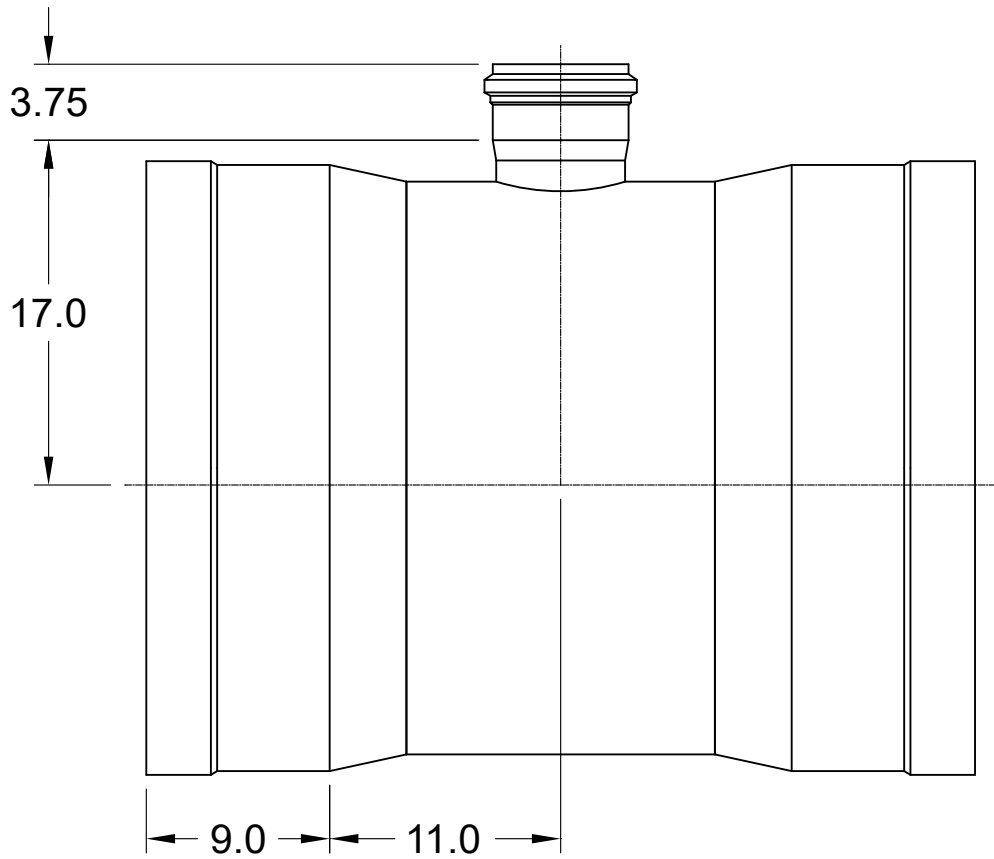


6" BRANCH TO BE SDR 26 HWS PSM



FOR REFERENCE ONLY DIMENSIONS SUBJECT TO CHANGE

TITLE

27" x 6" TEE GxGxG
VYLON

1-800-437-4670 FARGO, ND

DATE 1-18-13

SCALE NONE

PART NO. V03-0276