



# SMARTPlug™

## Fittings for The Future

GPK Introduces the  
New GPK SMARTPlug™

Finally. Locating underground sewer access is easier than ever. No more digging only to discover you're feet or yards away from the access plug. The new GPK SMARTPlug™ is designed to easily locate underground utilities **THE FIRST TIME.**

**SMARTPlug™**  
*Equipped with the 3M™  
Electronic Marker System*

GPK SMARTPlug™ is equipped with a 3M Electronic Disc Marker System. The disc marker is affixed to the underside of a cleanout plug, with a locking system that will never rust, corrode or come apart.



All 3M Disc Marker Systems are compatible technology, allowing the same frequency marker locator to be used to locate any of the markers for gas, water or wastewater utility services.



[www.gpk-fargo.com](http://www.gpk-fargo.com)



1601 43rd Street NW  
Fargo, ND 58102  
Toll Free: 800-437-4670  
Fax: 800-822-6989





The Scotchmark™ EMS Locator is portable and lightweight. The electronics package is supported by a strap around the neck or shoulder and the probe is hand-held.

GPK SMARTPlug™\* is easily located with an Electronic Marker Locator. The locator transmits a signal to the marker, which is reflected back to the locator and the exact location is indicated with both a visual reading and a tone.

### Size

Electronics Package:	9" x 10" x 3" (22.9 cm x 25.4 cm x 7.62 cm)
Probe:	8 1/4" diameter x 1 3/4" thick (20.9 cm x 4.4 cm)
Telescoping Handle:	Collapsed, 22" (55.9 cm), Extended, 32" (81.3 cm)

### Weight

Shipping:	12 lbs (5.44kg)
Electronics Package:	4 lbs (1.81 kg)
Operating Temperature:	0°F to 130°F (-17°C to 54°C)

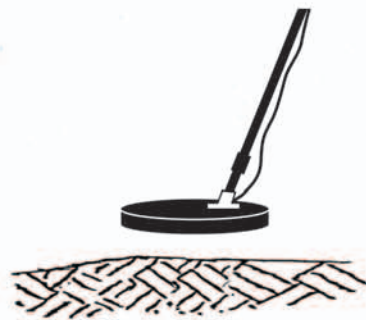
### Power Source:

Eight "C" size alkaline batteries

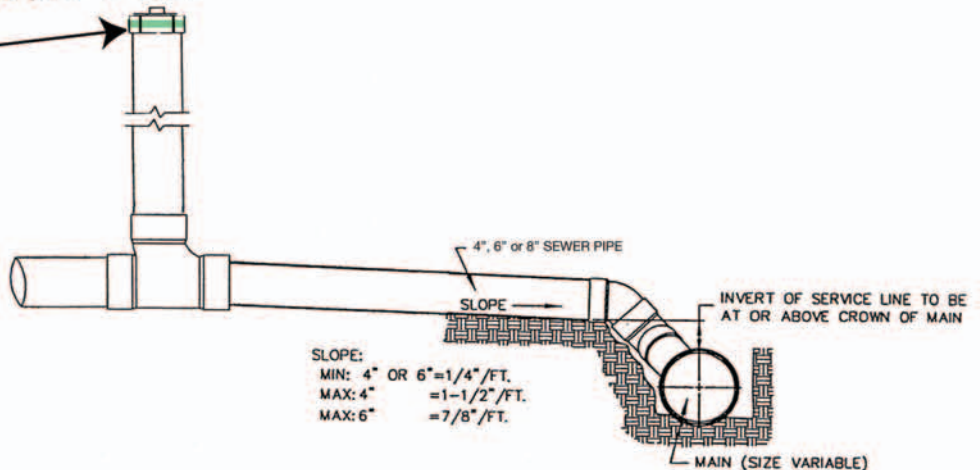
GPK SMARTPlug™ is a combination of GPK quality and 3M technology. GPK SMARTPlug™ is designed to easily and accurately locate underground flush-mounted facilities, which become covered with backfill or other obstructions, such as snow and overgrown vegetation.



SMARTPlug™



GPK SMARTPlug™ is available in 4", 6" or 8" sizes.



**SPECIFICATION:** Cleanout shall incorporate an electronic disc marker in threaded plug. Disc marker shall be positively retained in plug to eliminate the possibility of separation between disc and plug. Raised plug shall meet all requirements of ASTM-D-3034 SDR 35. Electronic disc marker shall be 3M EMS #1414XR, green in color, with a frequency of 121.6 kHz. Raised cleanout plug with electronic disc marker shall be GPK Products model #228-0004DM, 228-0006DM, 2228-0008DM or approved equal.

\*Patent Pending